

JOWA USA

Modbus Digital Display Meter PD865 Series



Features:

- Modbus RTU Serial Input Meter
- Shallow Depth Case 3.6" Behind Panel
- NEMA 4X, IP65 Front Panel
- Universal Input Power 85-265VAC
- Sunlight Readable Display with adjustable intensity level
- Full four digit display
- Two Relays with Alternation

Options:

- 4-20mA Analog Output
- RS-232, RS-422/485 Serial Output
- Modbus® RTU communication
- Meterview Software allows setup from a PC and can act as a data logger

Description:

Digital display meters provide readout of liquid level or temperature when used with level or level/temperature sensors and transmitters.

These panel mount meters are standard 1/8 DIN size, constructed of high impact plastic. The front panel is NEMA 4X. For wall mounting, an optional NEMA 4X Polycarbonate enclosure is available with hardware and a cut-out to mount the meter.

Specifications:

(Except where noted all specifications apply to operation at +25°C.)

Display: 0.56" (14.2 mm) red LEDs. Four digits (-1999 to 9999)

Display Intensity: Eight user selectable levels.

Front Panel: NEMA 4X, IP65. Gasket provided.

Programming Methods: Four front panel push buttons, PC and MeterView software, or cloning with Copy feature.

Noise Filter: Programmable between 2 and 199 (0 will disable filter).

Display Update Rate: Process/RTD: 3.7-5/sec

Digital Display Meter PD865 Series

Specifications, continued:

MAX/MIN Display: Stored until reset by user or meter is turned off.

Non-Volatile Memory: All programmed settings are stored in non-volatile memory for a minimum of ten years if power is lost.

Power: 85 - 265VAC, 50/60Hz, 20VA; 90-265VDC, 20W; Option: 12-36VDC or 12-24VAC

Environmental:

Operating temperature range: 32 to 150°F (0 to +65°C)
Storage temperature range: -40 to 185°F (-40 to +85°C)
Relative humidity: 0 to 90% non-condensing.

Connections: Power & Signal: removable screw terminal blocks accept 12 to 26 AWG. Serial: RJ11 header, standard on all meters.

Enclosure: 1/8 DIN, high impact plastic, 94V-0, color; gray

Weight: 8oz (2.27g) (with no options)

UL File Number: E160849; 508 Industrial Control Equipment

Accuracy: ±0.05% of calibrated span ±1 count.

Input Impedance: Voltage range: greater than 1MΩ, Current range: 50-100Ω.

Input Overload: Protected by automatically resettable fuse.

Temperature Drift: ±50 PPM/°C

Options:

Relays

Rating: 2 SPDT (form C); rated 3 amps @ 30VDC or 3 amps @ 250VAC resistive load; 1/14 HP @ 125/250 VAC for inductive loads.

Deadband: 0-100% of full scale, user selectable

High or Low Alarm: User may program any alarm for high or low.

Relay Operation: 1. Automatic (non-latching)
2. Latching 3. Pump alternation control

Time Delay: 0 to 199 seconds, on and off delays; programmable.

Fail-Safe Operation: Programmable, independent for each relay. Relay coils are energized in non-alarm

condition. In case of power failure, relays will go to alarm state.

Auto Initialization: When power is applied to the meter, relays will reflect the state of the meter input.

Isolated 4-20 mA Transmitter Output

Output Range: 1.00 to 23.00mA typical

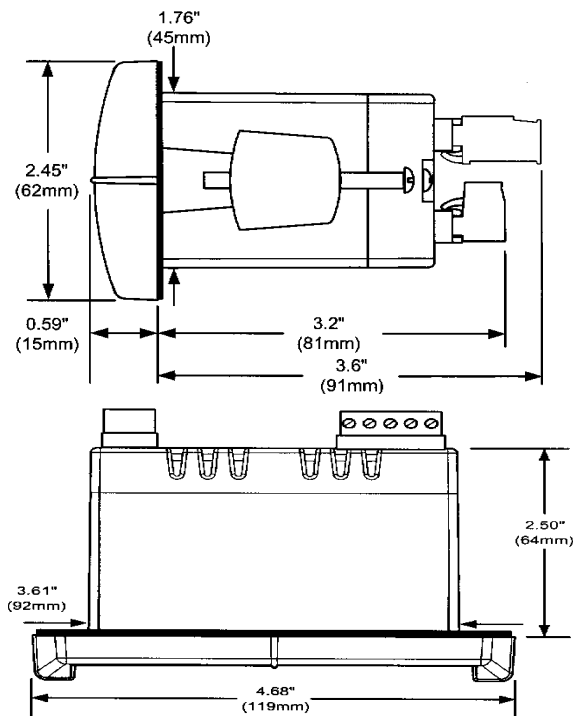
Accuracy: ±0.1% F.S. ±0.004mA

Temperature Drift: 50PPM/°C from 0 to 65°C ambient Note: Analog output drift is separate from input drift.

Isolation: 500V input-to-output or output-to-P1/P2 supplies; 4kV output-to-power line.

External Power: 35VDC maximum

Mounting Dimensions:



Notes:

1. Panel cutout required: 1.77" x 3.622" (45mm x 92mm)
2. Panel thickness: 0.04" - 0.25" (1.0mm - 6.4mm)
3. Mounting brackets lock in place for easy mounting

JOWA USA

JOWA USA, Inc.

59 Porter Road

Littleton, MA 01460-1431 USA

Tel: +1 978-486-9800 Toll free: 800-861-1560

Fax: + 1 978-486-0170

E-mail: info@jowa-usa.com

Disclaimer:

This is not a specification and all information is provided in good faith. Since conditions of use are beyond the control of JOWA USA, Inc., the information contained herein is without warranty, whether express, implied or otherwise. Final determination as to the suitability, merchantability or fitness of any information, material or product for a particular purpose, or any patent infringement, is the sole responsibility of the user. JOWA USA, Inc. does not assume liability for injury arising from the use of the information, material or product, and assumes no liability for any damages, whether direct, indirect, consequential, special, incidental, punitive or otherwise. For additional information regarding JOWA USA, Inc.'s limited warranty, refer to the Terms and Conditions that are currently in effect.